

xSil 248B Hi-Speed USB Extreme Flash Media Reader Controller chip Quick Data Sheet

The xSil 248B is designed to be the high performance controller for reading the newer, faster Flash media to USB. It maintains pin compatibility with the xSil 238B and in addition, contains the following:

- Support for faster SD-HS compliant media with sustained transfer speeds exceeding 20MB/sec for both Reads and Writes.
- Support for faster CF media that support PIO Modes 5 and 6 with sustained transfer speeds of up to 20MB/sec for both Reads and Writes.
- Support for faster MS PRO media with sustained transfer speeds of up to 18MB/sec for both Reads and Writes.
- Support for faster MMC cards that have 4-bit and 8-bit buses with sustained transfer speeds of up to 20MB/sec for both Reads and Writes. Speed limited by media transfer speed. Maximum theoretical speed for MMC 8-bit media is 52MB/sec.
- Optimum hardware controlled transfer for speed and scalability

Patents:

This product is covered by one or more of the following patents:

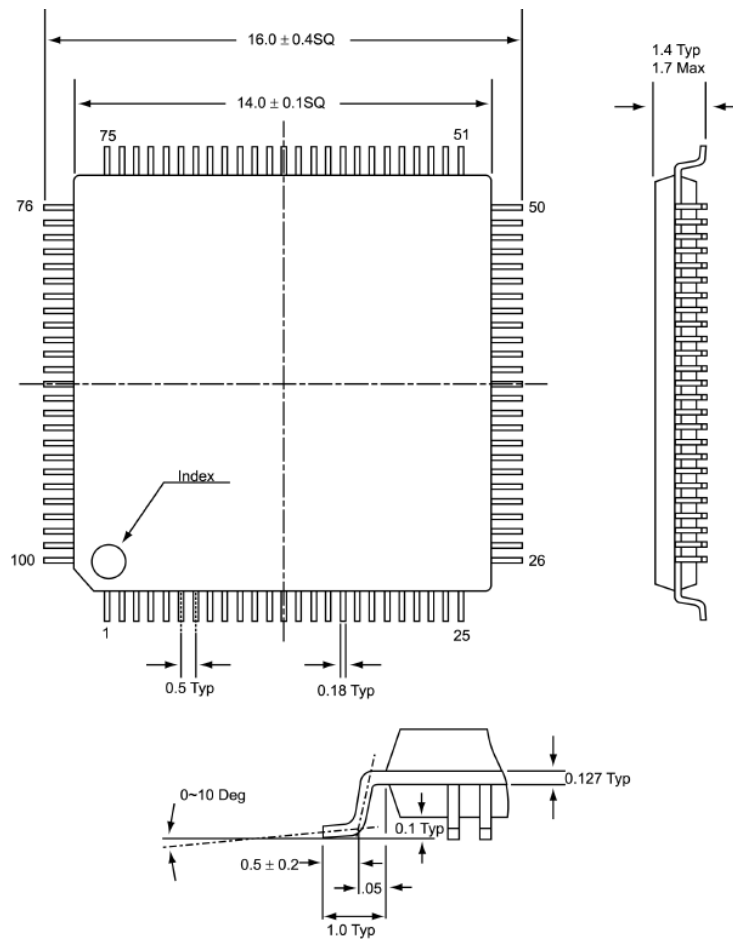
US Pat. 5841424, 6438638, 6832281, 6859361, 6859369

Taiwan Pat. I 222564

Other Foreign & US Patents Pending

USB Certification:

USB IF Certified, TID: 10500129



All dimensions are in mm.