

90C46D IDE/ ATAPI/ CF/ PCMCIA to Flash Media Reader Controller chip Quick Data Sheet

The 90C46D is designed to connect a wide range of memory cards to a CFTM, PCMCIA, ATAPI or IDE slot. It contains the following:

- 100-pin LQFP package
- Serial EEPROM port
- **Host side support**
 - CFTM
 - IDE
 - ATAPI
 - PCMCIA
- **Card side support:**
 - Memory StickTM / Memory Stick ProTM / Memory Stick DuoTM
 - Secure DigitalTM
 - SDTM / Mini SDTM
 - MMCTM / RS MMCTM
 - CompactFlashTM
 - MicrodriveTM
 - SmartMediaTM
 - xDTM
 - PCMCIA
 - NAND / NAND MLC
- Serial port
- Two General Purpose Timers
- Watchdog Timer
- 16 bit Processor
- Supports 4-bit mode transfers for Memory Stick PRO and Memory Stick HS media
- Supports 1-bit ECC for NAND, NAND MLC and NAND Big block flash media
- Programmable read and write widths
- OnSpec's patent pending EDMA technology for optimum data transfer
- Supports PIO 0..4 modes
- ATA-4 spec compliant*

* - As applicable to Flash media

Patents:

This product is covered by one or more of the following patents:

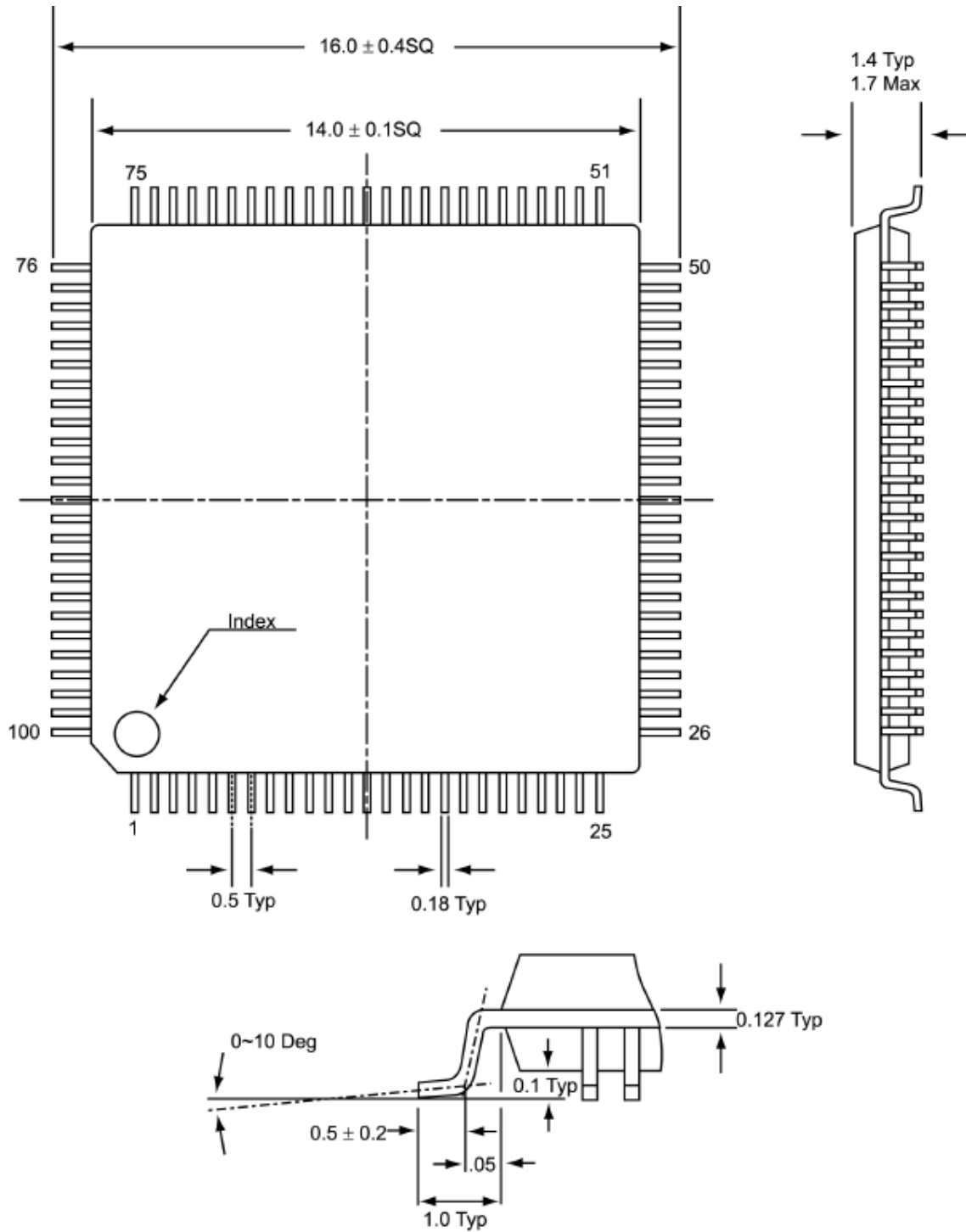
US Pat. 5841424, 6438638, 6832281, 6859361, 6859369

Taiwan Pat. I 222564

Other Foreign & US Patents Pending

Memory Stick Compliant Products Test Specification Extract Version 1.1.00:

Certified, Reference: 20050401 (First controller in the world to get this certification)



All dimensions are in mm.